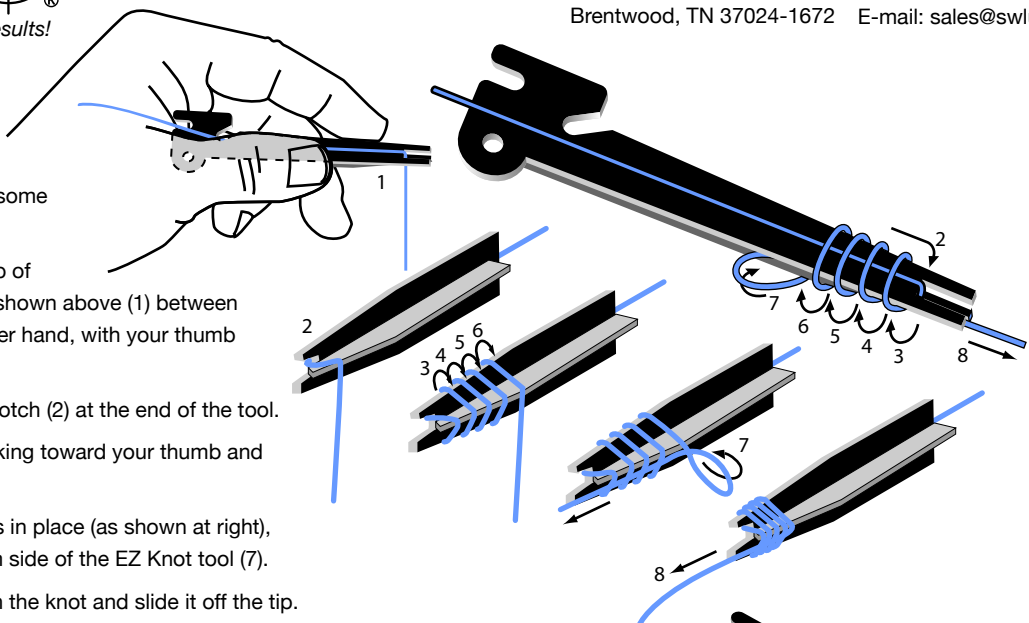


**Basic EZ Knot**

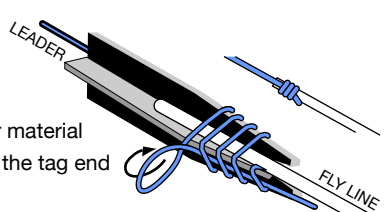
Master this standard knot and then apply it in many applications, some of which are shown on this page.

- Lay line from reel across the top of the EZ Knot tool and hold it as shown above (1) between thumb and middle finger of either hand, with your thumb securing the line.
- Guide the fishing line through notch (2) at the end of the tool.
- Wrap four times (3, 4, 5, 6) working toward your thumb and taking care not to cross lines.
- Using index finger to hold loops in place (as shown at right), insert line along slide on bottom side of the EZ Knot tool (7).
- Pull tag end of line (8) to tighten the knot and slide it off the tip.



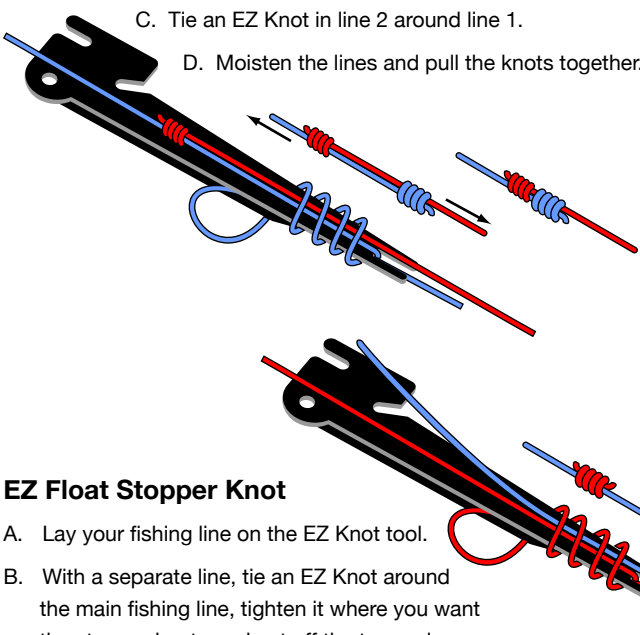
**Fly Line to Leader**

- Wrap four loops of leader material around the tool and tuck the tag end under the loops.
- Slide fly line under the loops on the bottom side of the tool.
- Pull the tag end to tighten and remove the knot.



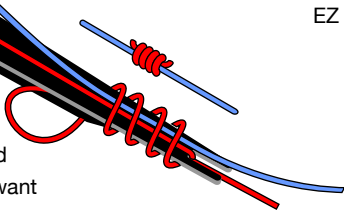
**Join Two Lines**

- Lay the two lines in opposite directions on the top of the tool
- Tie an EZ Knot in line 1 around line 2.
- Tie an EZ Knot in line 2 around line 1.
- Moisten the lines and pull the knots together.



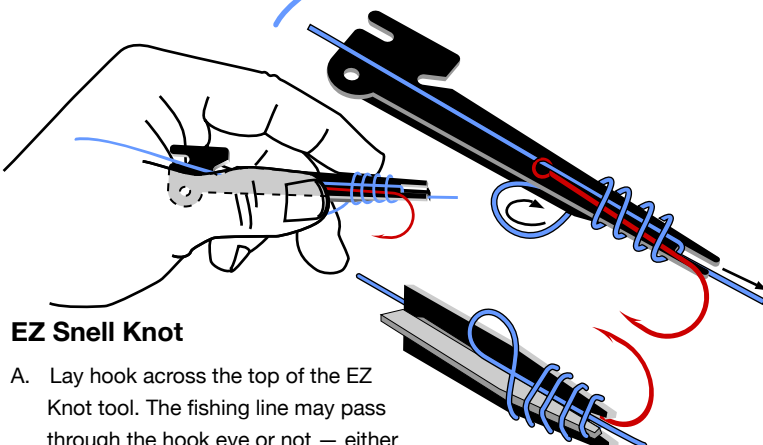
**EZ Float Stopper Knot**

- Lay your fishing line on the EZ Knot tool.
- With a separate line, tie an EZ Knot around the main fishing line, tighten it where you want the stopper knot, and cut off the tag ends.



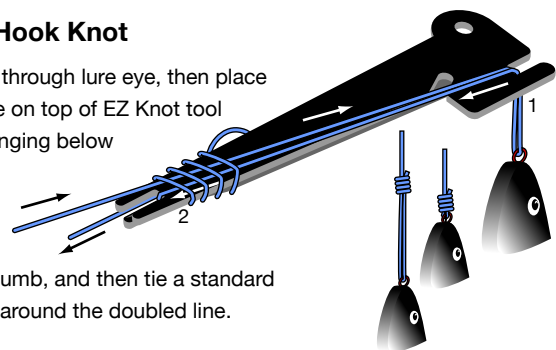
**EZ Snell Knot**

- Lay hook across the top of the EZ Knot tool. The fishing line may pass through the hook eye or not — either way, the knot is secure.
- Wrap four loops around the tool and hook shaft, tuck the tag end under the loops (on the lower side of the EZ Knot tool), and pull it to tighten and remove the knot and hook from the tool.



**EZ Lure or Hook Knot**

- Thread line through lure eye, then place doubled line on top of EZ Knot tool with lure hanging below notch (1).
- Secure the double line with your thumb, and then tie a standard EZ Knot (2) around the doubled line.



**Tips**

- Pull the knot off the tool with a quick tug.
- To ensure a perfect knot with no overlapping loops, moisten it with saliva before tightening. Each coil will slip into place as you pull the ends of the line.